

CPS303 Complete Kit	Series	CPS303
		Cover Sheet
		Mearin 100

4" Wide Fiberglass Reinforced Trench Drain Kit 10 - 99 Foot Complete



**New Commercial Trench Drain / Driveway Drain
4 Inch Wide - A Class Galvanized Grates Standard**

Complete system - Each Kit Includes:

Specified number of 1 meter sections of trench drain

Specified number of Galvanized Slotted Grates.

2 - Endcaps that can also be Outlets

2 - Galvanized Locks

1 - Bottom Outlet Connector

1 - Dirt Grate That Fits the Outlet

Easy to install

Channel Features

Fiberglass reinforced polyester, extensively proven over many years.

Lightweight, Stable, able to withstand extreme loads.

Frost proof, Rustproof, Abrasion and Heat Resistant.

Special ridges provide optimal anchorage and bracing during concrete pour.

This Kit Comes in Flat Only

For Presloped Trench Drain Kits See our CPS100 Series at

http://trenchdrainsupply.com/kit_pro_plus_100.asp



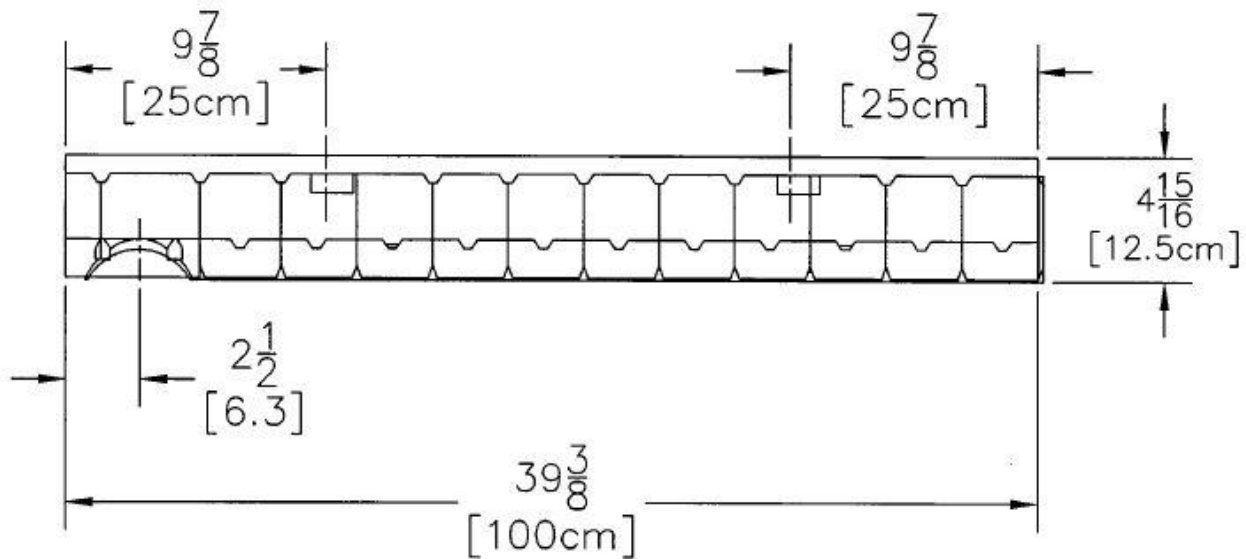
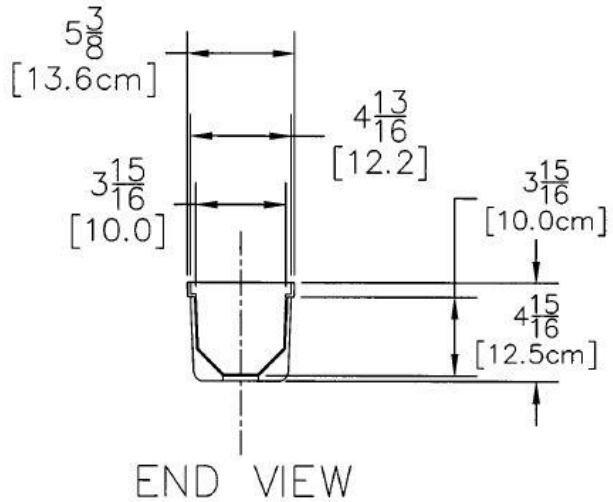
Quality engineered trench drain system

1-877-903-7246



www.trenchdrainsupply.com

<p>Number</p> <p style="text-align: center;">141105</p>	<p>Series</p> <p style="text-align: center;">141105</p> <p style="text-align: center;">Mearin 100 Channel CPS303 Series</p>
---	---



Manufacturer



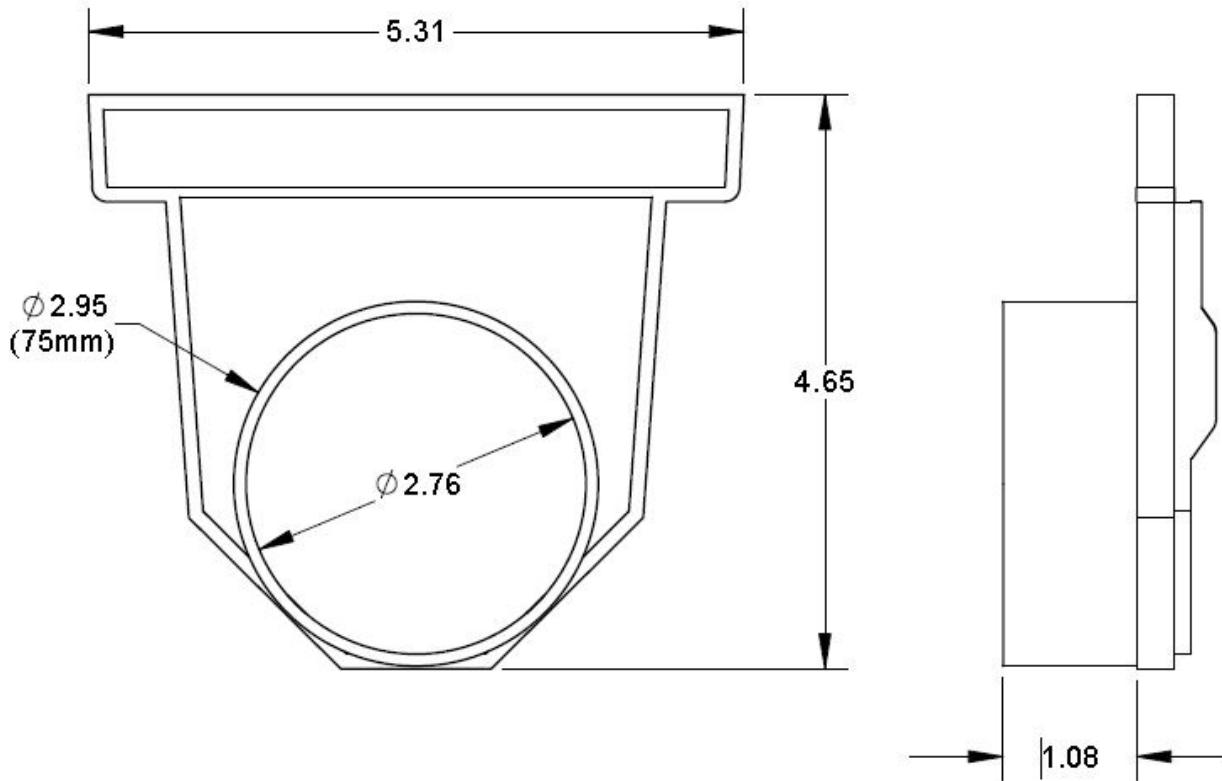
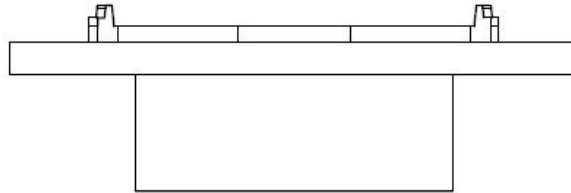
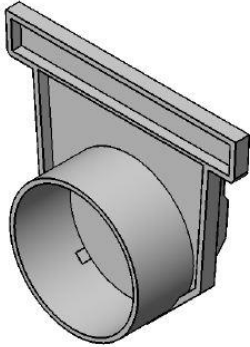
Quality engineered trench drain system

Specification

MEA 141105 REINFORCED FIBERGLASS TRENCH DRAIN CHANNEL, SUPPLIED BY TRENCH DRAIN SUPPLY.

DISCLAIMER - The customer and the customer's architects, engineers, consultants, and other professionals are completely responsible for the selection installation and maintenance of any product purchased from Trench Drain Supply and/or its manufacturers. TRENCH DRAIN SUPPLY MAKES NO WARRANTY, EXPRESS OR IMPLIED, AS TO THE SUITABILITY, DESIGN, MERCHANTABILITY, OR FITNESS OF THE PRODUCT FOR CUSTOMERS APPLICATION. The drawing and information provided remain the property and copyright of the manufacturer listed. The manufacturer reserves the right to modify specification without notice.

<p>Number</p> <p style="text-align: center;">141350</p>	<p>Series</p> <p style="text-align: center;">141350 Mearin 100 End Cap CPS303 Series</p>
---	--



Manufacturer



Quality engineered trench drain system

Specification

MEA 141350 END CAP/OUTLET FOR MEARIN 100 SIZE 4" INTERNAL WIDTH TRENCH CHANNELS. MADE WITH POLYPROPYLENE MATERIAL AND DESIGNED TO SECURELY FIT INTO END OF CHANNEL, SUPPLIED BY TRENCH DRAIN SUPPLY.

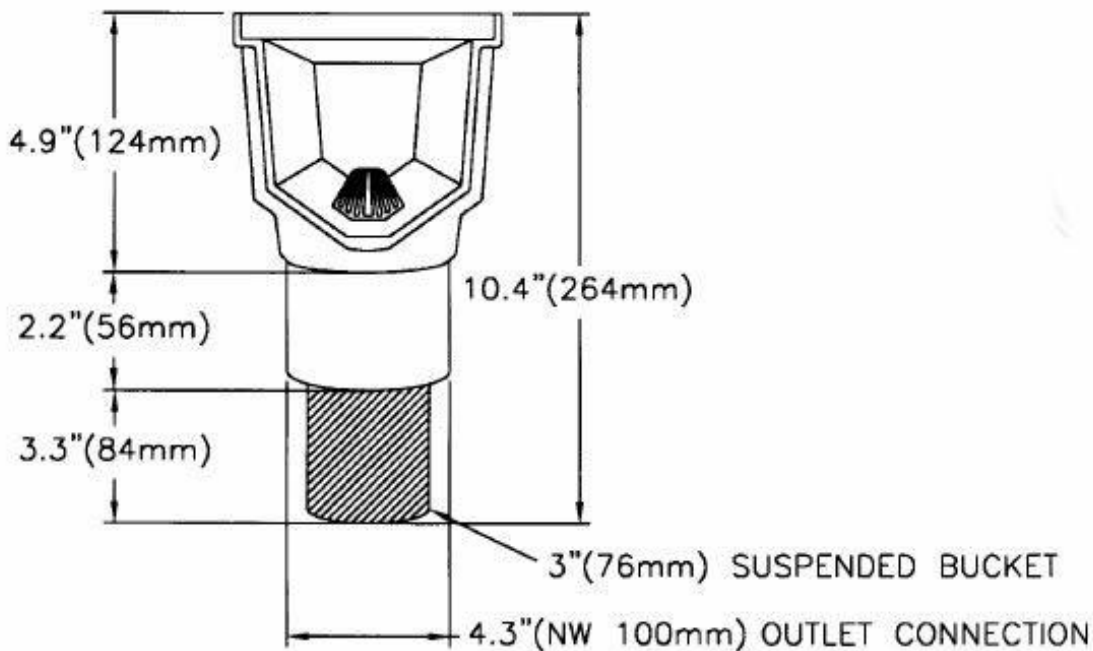
DISCLAIMER - The customer and the customer's architects, engineers, consultants, and other professionals are completely responsible for the selection installation and maintenance of any product purchased from Trench Drain Supply and/or its manufacturers. TRENCH DRAIN SUPPLY MAKES NO WARRANTY, EXPRESS OR IMPLIED, AS TO THE SUITABILITY, DESIGN, MERCHANTABILITY, OR FITNESS OF THE PRODUCT FOR CUSTOMERS APPLICATION. The drawing and information provided remain the property and copyright of the manufacturer listed. The manufacturer reserves the right to modify specification without notice.

<p>Number</p> <p style="text-align: center;">141400</p>	<p>Series</p> <p style="text-align: center;">141400</p> <p style="text-align: center;">Mearin 100 Trap Set Bag CPS303 Series</p>
---	--

This Trap Set Bag contains:
 (1) inline Trap Set and
 (2) Endcaps



CHANNEL AND INLINE
TRAP SET



Manufacturer



Quality engineered trench drain system

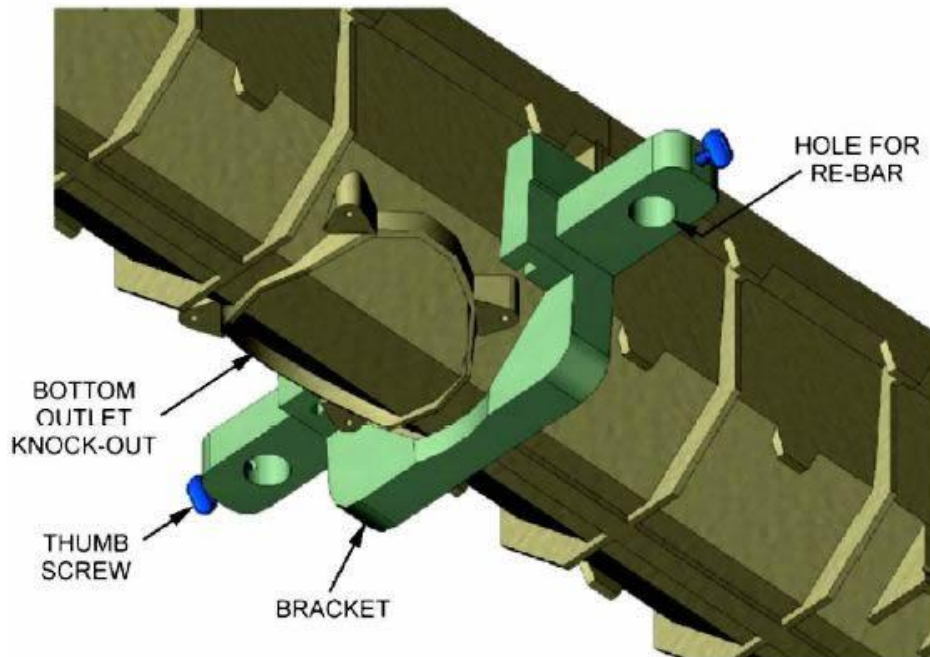
Specification

MEA 141400 TRAP SET BAG INCLUDES ONE INLINE TRAP SET AND (2) 141350 END CAPS FOR MEARIN 100 SIZE 4" INTERNAL WIDTH TRENCH CHANNELS. MADE WITH POLYPROPYLENE MATERIAL, SUPPLIED BY TRENCH DRAIN SUPPLY.

DISCLAIMER - The customer and the customer's architects, engineers, consultants, and other professionals are completely responsible for the selection installation and maintenance of any product purchased from Trench Drain Supply and/or its manufacturers. TRENCH DRAIN SUPPLY MAKES NO WARRANTY, EXPRESS OR IMPLIED, AS TO THE SUITABILITY, DESIGN, MERCHANTABILITY, OR FITNESS OF THE PRODUCT FOR CUSTOMERS APPLICATION. The drawing and information provided remain the property and copyright of the manufacturer listed. The manufacturer reserves the right to modify specification without notice.

1-877-903-7246

Number 141100	Series Mearin 100 Installation Bracket CPS303 Series
------------------------------------	---



Manufacturer



Quality engineered trench drain system

Specification

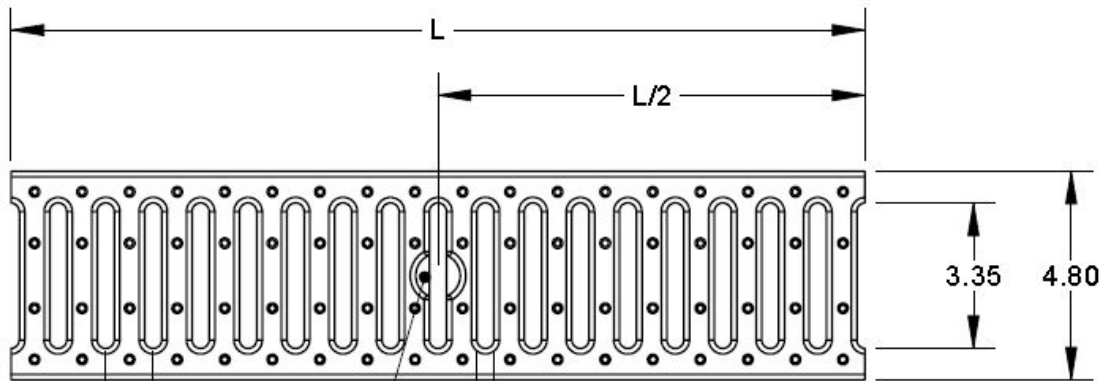
MEA 141100 PVC CHANNEL WITH THUMB SCREWS FOR SECURING UP TO 5/8+DIAMETER REBAR OR SIMILAR SUPPORT ROD UP TO 5/8+DIAMETER, SUPPLIED BY TRENCH DRAIN SUPPLY.

DISCLAIMER - The customer and the customer's architects, engineers, consultants, and other professionals are completely responsible for the selection installation and maintenance of any product purchased from Trench Drain Supply and/or its manufacturers. TRENCH DRAIN SUPPLY MAKES NO WARRANTY, EXPRESS OR IMPLIED, AS TO THE SUITABILITY, DESIGN, MERCHANTABILITY, OR FITNESS OF THE PRODUCT FOR CUSTOMERS APPLICATION. The drawing and information provided remain the property and copyright of the manufacturer listed. The manufacturer reserves the right to modify specification without notice.

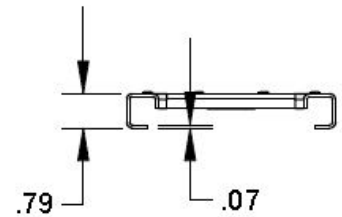
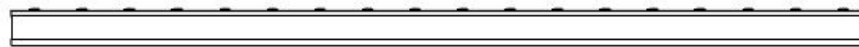
Number 152101	Series 152101 A Galvanized Steel Slotted 1000 Series Grates
------------------------------------	--




PART NUMBER	"L" DIMENSION	FREE AREA
152101	39.4" [1000mm]	45.8 SQ. IN.



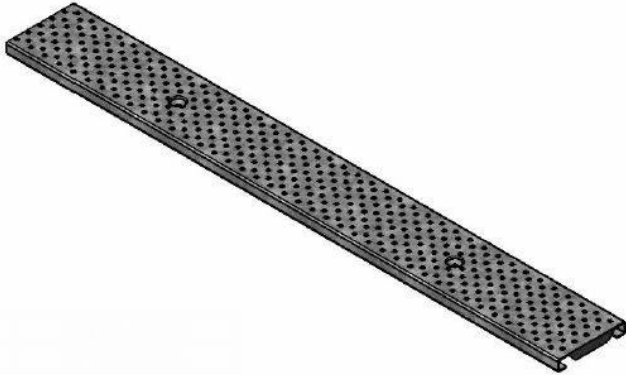
1.09
 .39
 0.39 DRILL THRU
 0.78 DIA DEPRESSED
 0.28 DEEP FOR FLAT
 HEAD MOUNTING SCREW



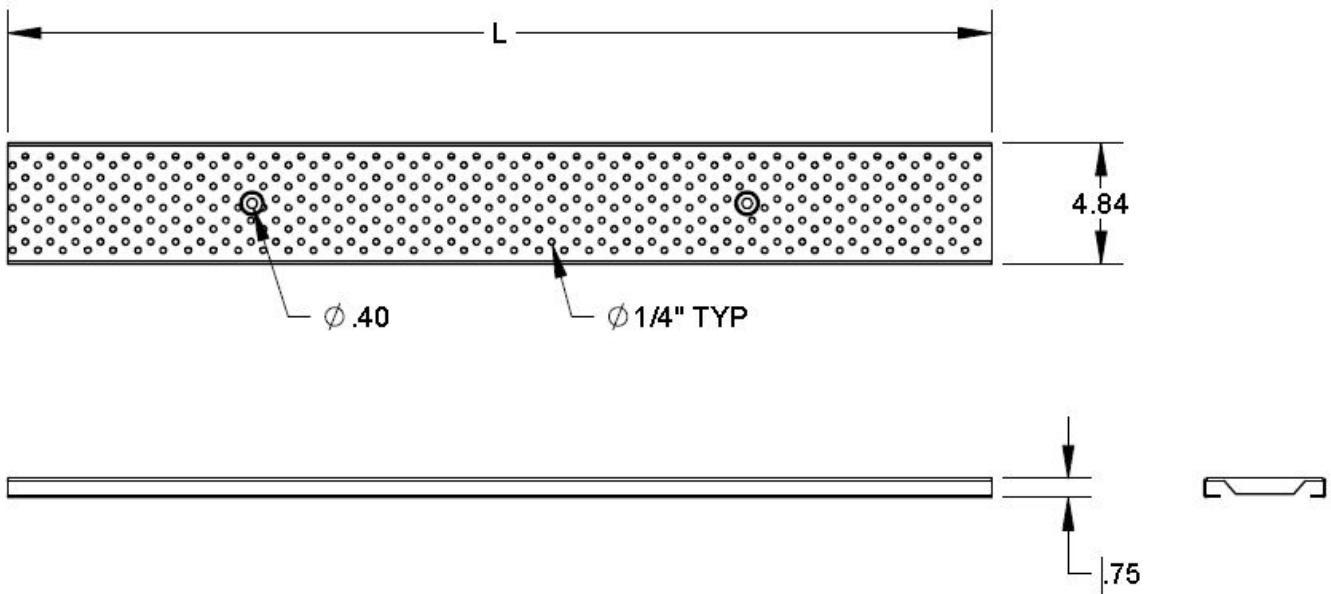
Manufacturer  Quality engineered trench drain system	Specification MEA 152101 GALVANIZED STEEL SLOTTED TRENCH DRAIN GRATE WITH CLASS A LOAD RATING (3,500 LBS. - 70 PSI), SUPPLIED BY TRENCH DRAIN SUPPLY.
--	---

DISCLAIMER - The customer and the customer's architects, engineers, consultants, and other professionals are completely responsible for the selection installation and maintenance of any product purchased from Trench Drain Supply and/or its manufacturers. TRENCH DRAIN SUPPLY MAKES NO WARRANTY, EXPRESS OR IMPLIED, AS TO THE SUITABILITY, DESIGN, MERCHANTABILITY, OR FITNESS OF THE PRODUCT FOR CUSTOMERS APPLICATION. The drawing and information provided remain the property and copyright of the manufacturer listed. The manufacturer reserves the right to modify specification without notice.

Number 152105	Series 152105 A Galvanized Steel Perforated 1000 Series Grates
------------------------------------	---



PART NUMBER	"L" DIMENSION	FREE AREA
152105	39.3"	37.5 SQ. IN.



Manufacturer



Quality engineered trench drain system

Specification

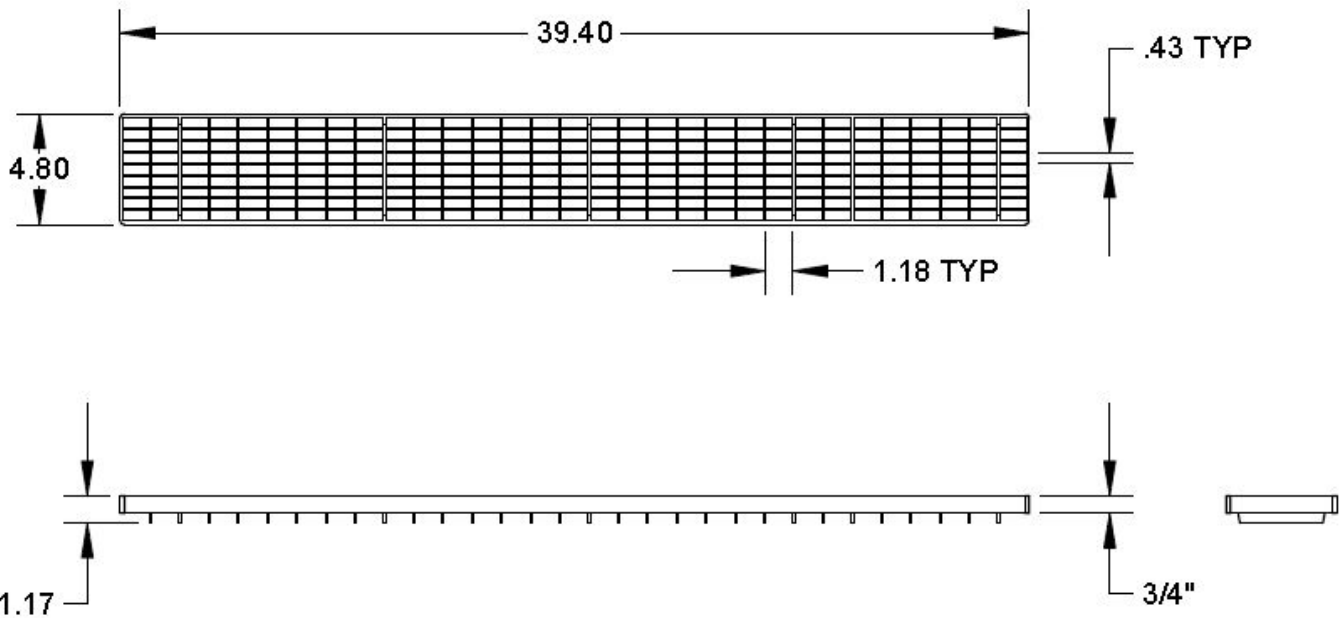
MEA 152105 GALVANIZED STEEL PERFORATED GRATE WITH RECESSES FOR LOCKING BAR SECURING FEATURE AND 1/4" PERFORATIONS DESIGNED TO FIT 100 AND 1000 SERIES CHANNELS. WITH CLASS A LOAD RATING (3,500 LBS. - 70 PSI), SUPPLIED BY TRENCH DRAIN SUPPLY.

DISCLAIMER - The customer and the customer's architects, engineers, consultants, and other professionals are completely responsible for the selection installation and maintenance of any product purchased from Trench Drain Supply and/or its manufacturers. TRENCH DRAIN SUPPLY MAKES NO WARRANTY, EXPRESS OR IMPLIED, AS TO THE SUITABILITY, DESIGN, MERCHANTABILITY, OR FITNESS OF THE PRODUCT FOR CUSTOMERS APPLICATION. The drawing and information provided remain the property and copyright of the manufacturer listed. The manufacturer reserves the right to modify specification without notice.

Number <p style="text-align: center;">152312</p>	Series <p style="text-align: center;">152312 B Galvanized Steel Mesh 1000 Series Grates</p>
---	--



FREE AREA: 144.8 SQ. IN.



Manufacturer



Specification

MEA 152312 GALVANIZED STEEL MESH GRATE DESIGNED TO FIT 100 AND 1000 SERIES CHANNELS. MEETS CLASS B LOADING REQUIREMENTS (26,100 LBS - 580 PSI). SUPPLIED BY TRENCH DRAIN SUPPLY.

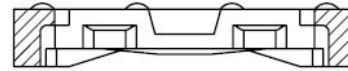
DISCLAIMER - The customer and the customer's architects, engineers, consultants, and other professionals are completely responsible for the selection installation and maintenance of any product purchased from Trench Drain Supply and/or its manufacturers. TRENCH DRAIN SUPPLY MAKES NO WARRANTY, EXPRESS OR IMPLIED, AS TO THE SUITABILITY, DESIGN, MERCHANTABILITY, OR FITNESS OF THE PRODUCT FOR CUSTOMERS APPLICATION. The drawing and information provided remain the property and copyright of the manufacturer listed. The manufacturer reserves the right to modify specification without notice.

1-877-903-7246

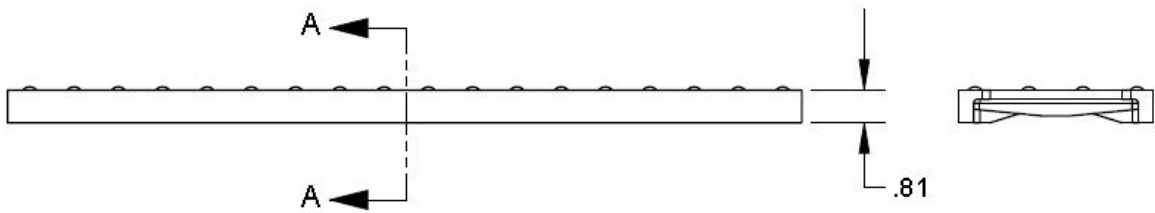
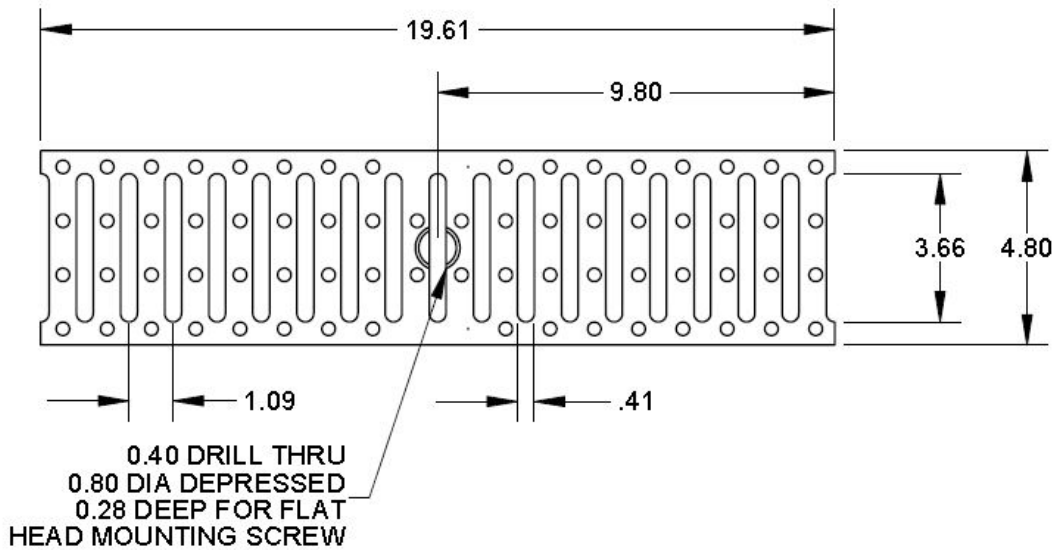



www.trenchdrainsupply.com

Number <p style="text-align: center;">152411</p>	Series <p style="text-align: center;">152411 C Ductile Iron Slotted 1000 Series Grates</p>
---	---



SECTION A-A
SCALE 1 : 2



Manufacturer  Quality engineered trench drain system	Specification MEA 152411 DUCTILE IRON SLOTTED GRATE, DESIGNED TO FIT 100 AND 1000 SERIES CHANNELS. MEETS CLASS C LOADING REQUIREMENTS (56,000 LBS - 1,162 PSI), SUPPLIED BY TRENCH DRAIN SUPPLY.
--	--

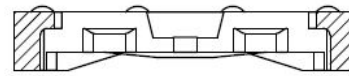
DISCLAIMER - The customer and the customer's architects, engineers, consultants, and other professionals are completely responsible for the selection installation and maintenance of any product purchased from Trench Drain Supply and/or its manufacturers. TRENCH DRAIN SUPPLY MAKES NO WARRANTY, EXPRESS OR IMPLIED, AS TO THE SUITABILITY, DESIGN, MERCHANTABILITY, OR FITNESS OF THE PRODUCT FOR CUSTOMERS APPLICATION. The drawing and information provided remain the property and copyright of the manufacturer listed. The manufacturer reserves the right to modify specification without notice.

1-877-903-7246

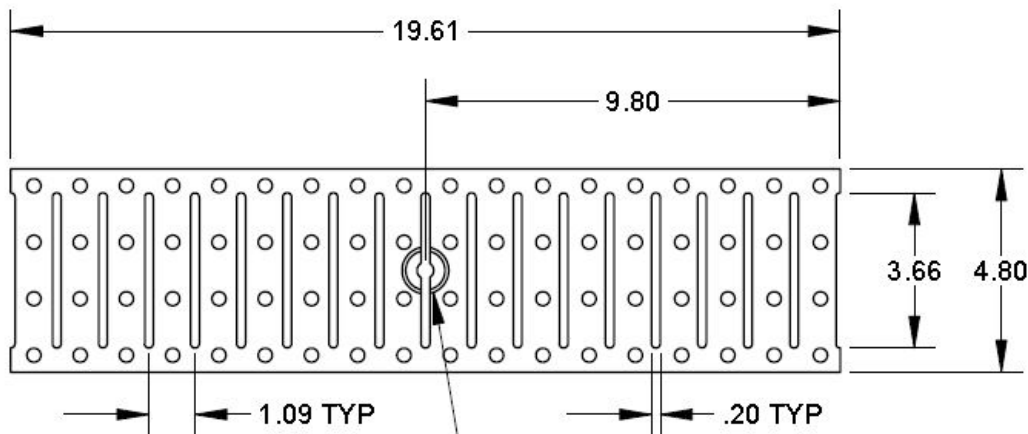


www.trenchdrainsupply.com

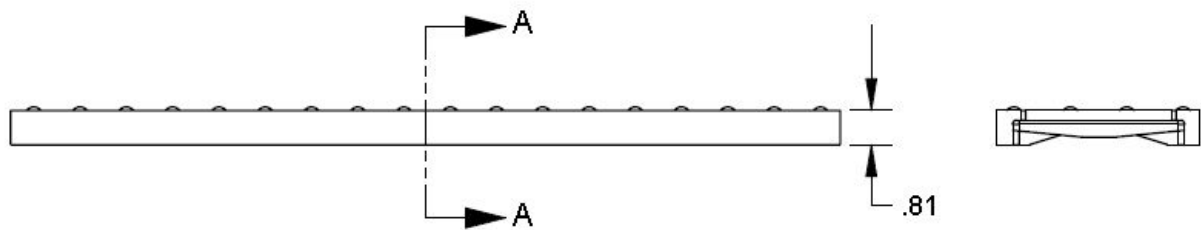
Number 152541	Series 152541 C Ductile Iron Heel Guard 1000 Series Grates
------------------------------------	---



SECTION A-A
SCALE 1 : 2



0.40 DRILL THRU
0.80 DIA DEPRESSED
0.28 DEEP FOR FLAT
HEAD MOUNTING SCREW



Manufacturer



Quality engineered trench drain system

Specification

MEA 152541 TRENCH GRATE MADE OF DUCTILE IRON WITH SLOTS. MEETS LOADING CLASS C (56,000 LBS - 1,162 PSI). THIS GRATE IS HEELPROOF AND ADA COMPLIANT - SUPPLIED BY TRENCH DRAIN SUPPLY.

DISCLAIMER - The customer and the customer's architects, engineers, consultants, and other professionals are completely responsible for the selection installation and maintenance of any product purchased from Trench Drain Supply and/or its manufacturers. TRENCH DRAIN SUPPLY MAKES NO WARRANTY, EXPRESS OR IMPLIED, AS TO THE SUITABILITY, DESIGN, MERCHANTABILITY, OR FITNESS OF THE PRODUCT FOR CUSTOMERS APPLICATION. The drawing and information provided remain the property and copyright of the manufacturer listed. The manufacturer reserves the right to modify specification without notice.